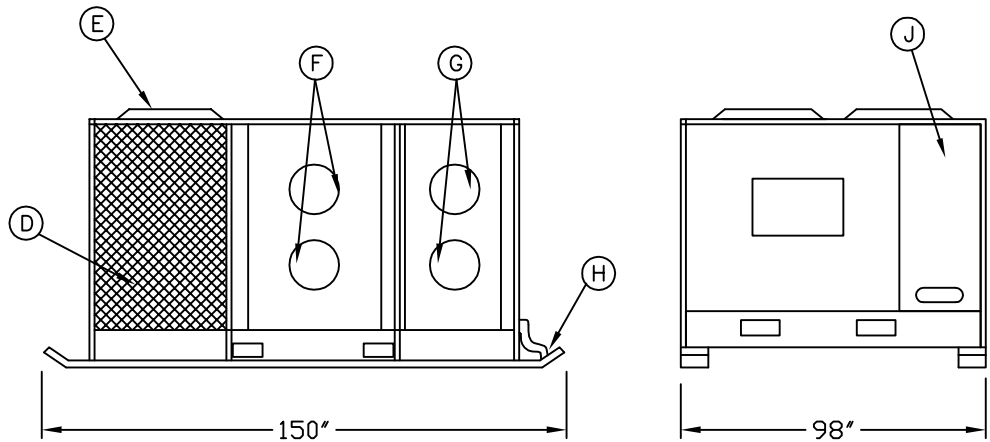
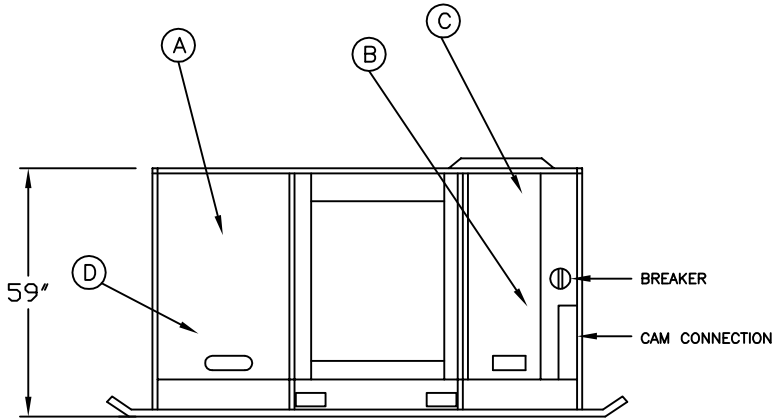


Y2682-YORK



UNIT SPECIFICATIONS:

POWER SUPPLY: 208/3PH/60HZ

UNIT SPECIFICATIONS: MCA

COOL ONLY 78
HEAT OR COOL 95

AIR DELIVERY: 10,000 CFM
HEATER ELEMENT: 27KW
DRAIN CONNECTION: 1" NPT

DIMENSIONS:

LENGTH(IN): 140
WIDTH (IN): 88
HEIGHT (IN): 65
WEIGHT (LBS): 2,950

UNIT COMPONENTS:

- Ⓐ SERVICE ACCESS BLOWER
- Ⓑ SAFETY DISCONNECT
- Ⓒ SERVICE ACCESS ELECTRICAL
- Ⓓ CONDENSER INLET
- Ⓔ CONDENSER EXHAUST
- Ⓕ SUPPLY AIR ø20
- Ⓖ RETURN AIR ø20
- Ⓗ CONDENSATE DRAIN CONNECTION
- Ⓙ SERVICE ACCESS FILTER

L.M. Temperature Control Inc.

DRAWN:	APPROVED:	DRAWING NUMBER:
DATE: 07.26.06	DATE: 07.26.06	THPAC25T4HA