

# THPAC-25T4

UNIT SPECIFICATIONS:

POWER SUPPLY: 460V/3PH/60HZ

MODE MCA

COOL ONLY 57

AIR DELIVERY: 10,000 CFM

DRAIN CONNECTION: 1" NPT

DIMENSIONS:

LENGTH(IN): 124

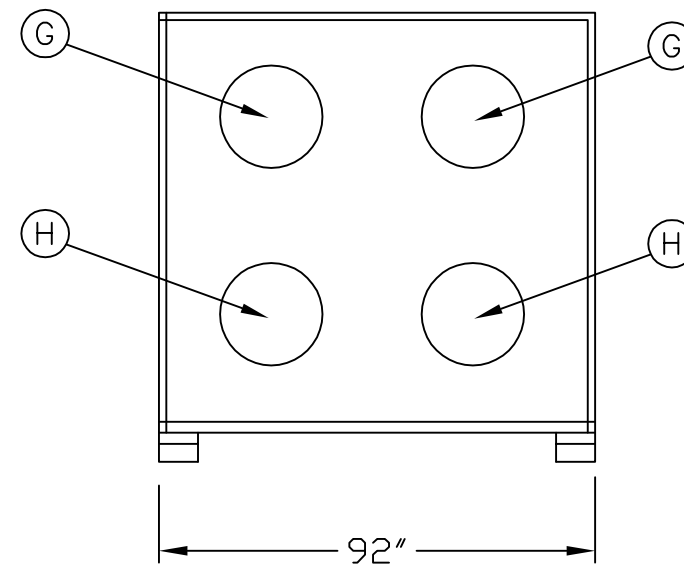
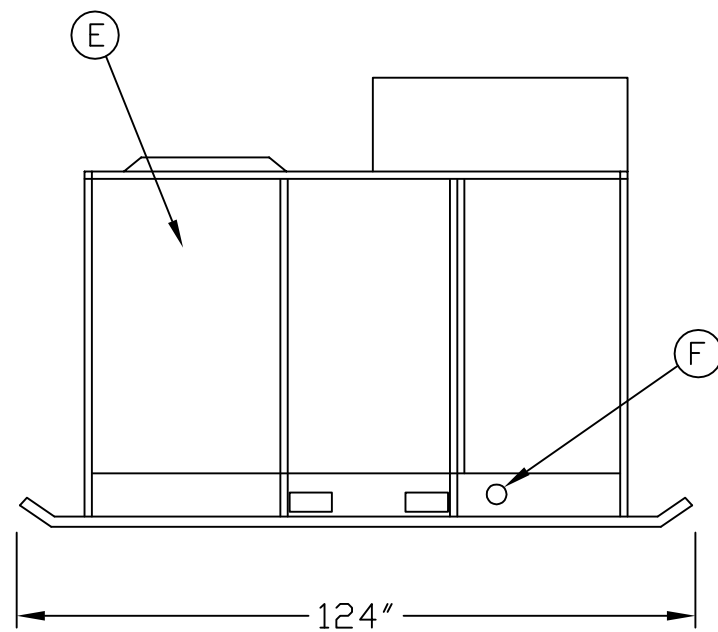
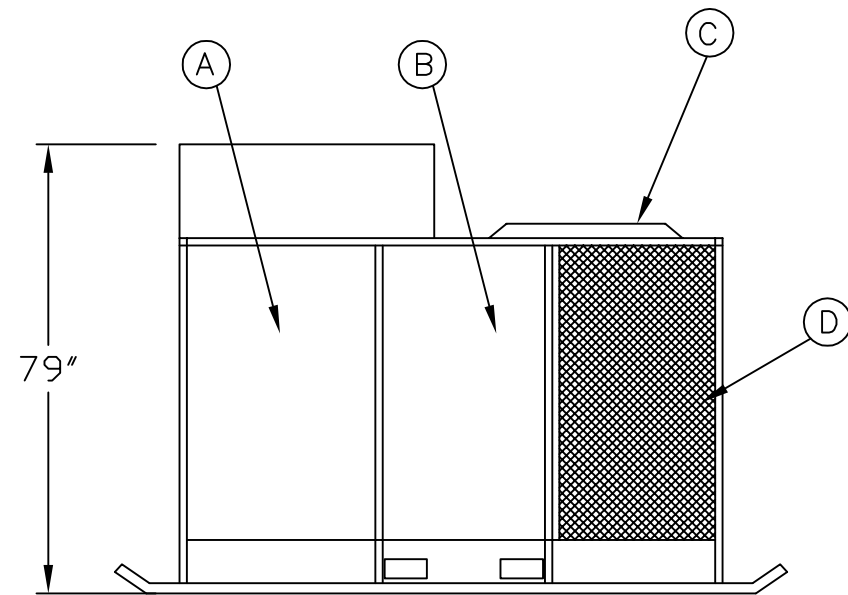
WIDTH (IN): 92

HEIGHT (IN): 79

WEIGHT (LBS): 3,300

UNIT COMPONENTS:

- Ⓐ SERVICE ACCESS FILTER
- Ⓑ SERVICE ACCESS BLOWER
- Ⓒ CONDENSER EXHAUST
- Ⓓ CONDENSER INLET
- Ⓔ SERVICE ACCESS ELECTRICAL
- Ⓕ CONDENSATE DRAIN CONNECTION
- Ⓖ SUPPLY AIR  $\phi 20$
- Ⓗ RETURN AIR  $\phi 20$



L.M. Temperature Control Inc.

DRAWN:	APPROVED:	DRAWING NUMBER:
DATE: 07.26.06	DATE: 07.26.06	THPAC25T4A