

THPAC-25T2H

UNIT SPECIFICATIONS:

POWER SUPPLY: 208/230V/3PH/60HZ

UNIT SPECIFICATIONS: MCA

COOL ONLY 132

HEAT OR COOL 193

AIR DELIVERY: 10,000 CFM

HEATER ELEMENT: 54Kw

DRAIN CONNECTION: 1" NPT

DIMENSIONS:

LENGTH(IN): 140

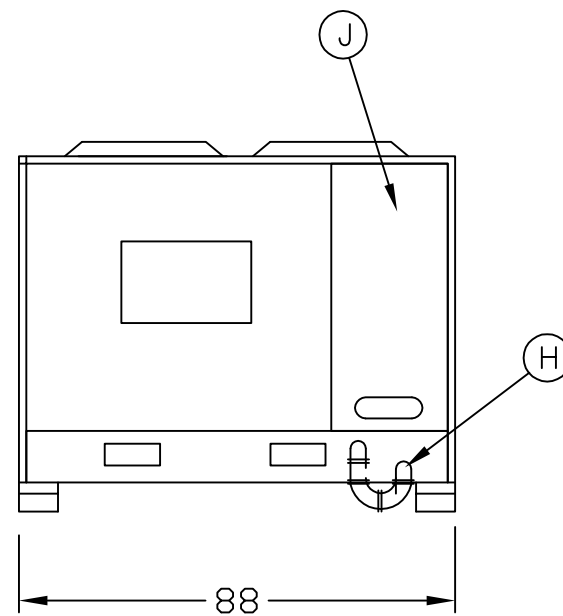
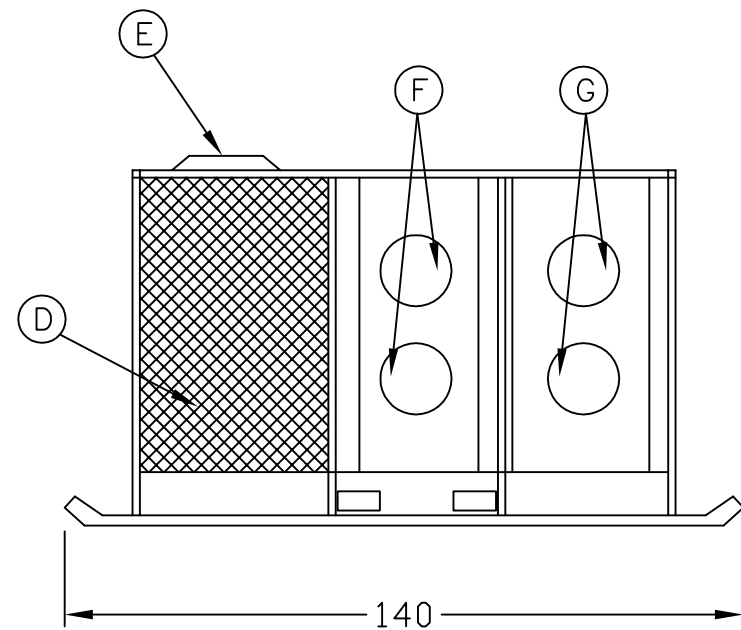
WIDTH (IN): 88

HEIGHT (IN): 65

WEIGHT (LBS): 2,950

UNIT COMPONENTS:

- Ⓐ SERVICE ACCESS BLOWER
- Ⓑ SAFETY DISCONNECT
- Ⓒ SERVICE ACCESS ELECTRICAL
- Ⓓ CONDENSER INLET
- Ⓔ CONDENSER EXHAUST
- Ⓕ SUPPLY AIR ϕ 20
- Ⓖ RETURN AIR ϕ 20
- Ⓗ CONDENSATE DRAIN CONNECTION
- Ⓙ SERVICE ACCESS FILTER



L.M. Temperature Control Inc.

DRAWN:	APPROVED:	DRAWING NUMBER:
DATE: 06.02.06	DATE: 06.02.06	THPAC25T2HA