

TZ-36A-01

UNIT SPECIFICATIONS:

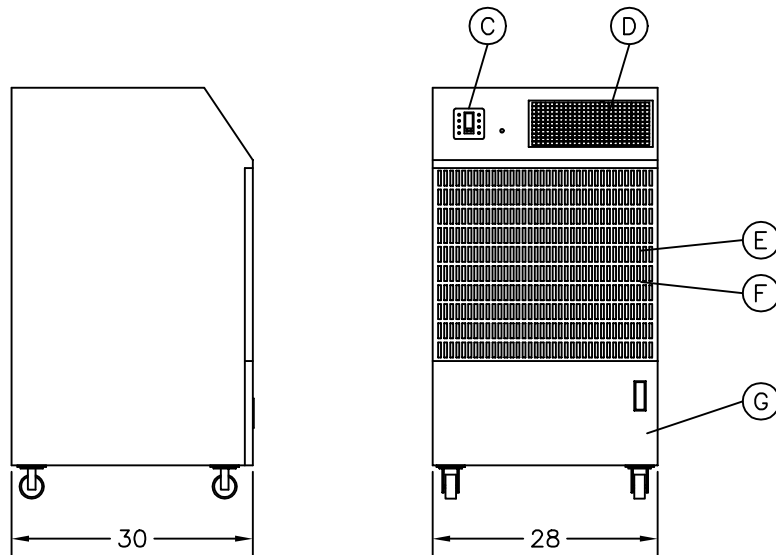
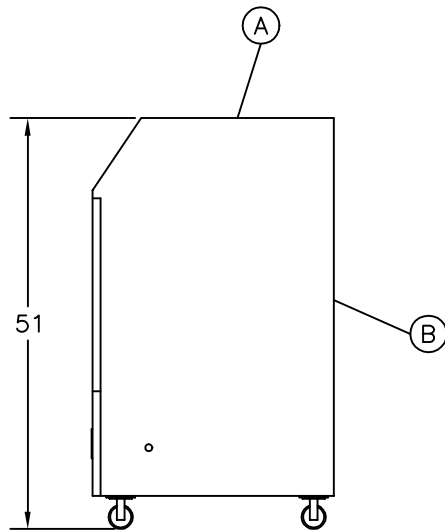
POWER SUPPLY: 208-230V/1PH/60Hz/30A
AIR DELIVERY: 1200 CFM
CONDENSATE TANK: 5 GALLON

DIMENSIONS:

LENGTH (IN): 30
WIDTH (IN): 28
HEIGHT (IN): 51
WEIGHT (LBS): 336

UNIT COMPONENTS:

- (A) CONDENSER EXHAUST
- (B) CONDENSER INLET
- (C) THERMOSTAT
- (D) SUPPLY AIR
- (E) RETURN AIR
- (F) SERVICE ACCESS FILTER
- (G) SERVICE ACCESS CONDENSATE TANK



L.M. Temperature Control Inc.

DRAWN: ACJ

APPROVED: DLG

DRAWING NUMBER:

DATE: 02.06.02

DATE: 04.22.02

TZ36A01