

THP-750A

UNIT SPECIFICATIONS:

POWER SUPPLY: 230V/1PH/60Hz/17.5A
 230V/3PH/60Hz/10A
 460V/3PH/60Hz/5A

AIR DELIVERY: 4,000 CFM
 BTU INPUT: 43,200 - 750,000

FUEL SUPPLY:

PROPANE: 10 PSI
 NATURAL: 1/2 - 4 PSI
 CONNECTION: 1" NPT

DIMENSIONS:

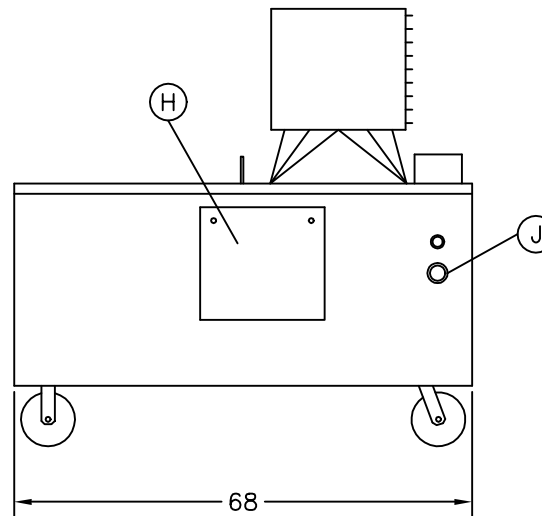
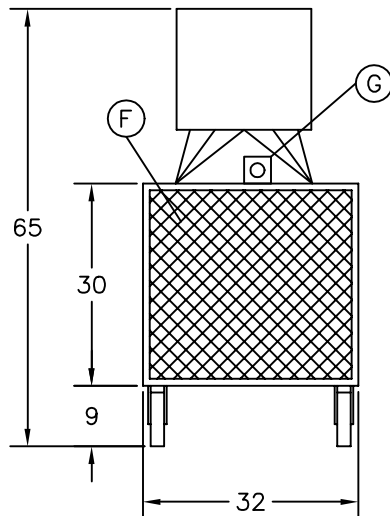
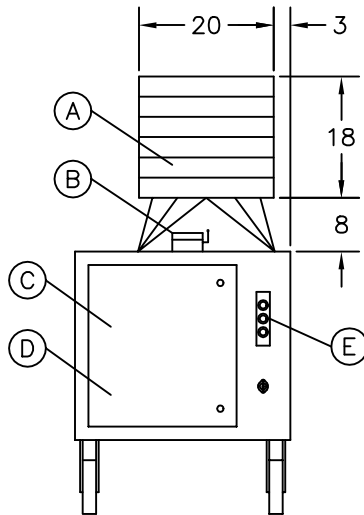
LENGTH (IN): 68
 WIDTH (IN): 32
 HEIGHT (IN): 65
 WEIGHT (LBS): 650

NOTES:

CONTACT TEMP-AIR FOR OTHER
 GAS PRESSURES.

UNIT COMPONENTS:

- (A) DISCHARGE HOOD
- (B) SAFETY DISCONNECT
- (C) SERVICE ACCESS ELECTRICAL/MANIFOLD
- (D) SERVICE ACCESS MOTOR
- (E) CONTROL PANEL
- (F) INTAKE SCREEN
- (G) LIFTING EYE
- (H) SERVICE ACCESS BEARINGS
- (J) GAS INLET



L.M. Temperature Control Inc.

DRAWN: ACJ
 DATE: 11.07.01

APPROVED: DLG
 DATE: 11.13.01

DRAWING NUMBER:
 THP750A