

# THP-4500A

## UNIT SPECIFICATIONS:

POWER SUPPLY: 230V/3PH/60Hz/60A  
460V/3PH/60Hz/30A  
AIR DELIVERY: 25,000 CFM  
BTU INPUT: 202,500 - 4,500,000

## FUEL SUPPLY:

PROPANE: 10 PSI  
NATURAL: 1/2 - 4 PSI  
CONNECTION: 2" NPT

## DIMENSIONS:

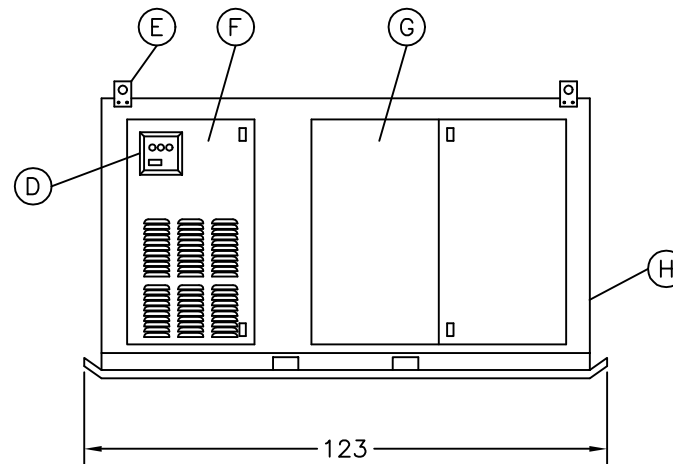
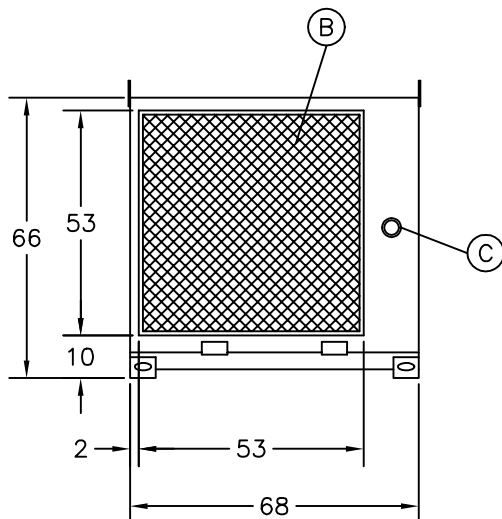
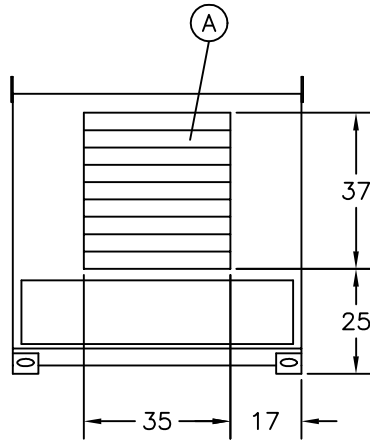
LENGTH (IN): 123  
WIDTH (IN): 68  
HEIGHT (IN): 66  
WEIGHT (LBS): 2,700

## NOTES:

CONTACT TEMP-AIR FOR OTHER  
GAS PRESSURES.

## UNIT COMPONENTS:

- (A) DISCHARGE DIFFUSER
- (B) INTAKE SCREEN
- (C) GAS INLET
- (D) CONTROL PANEL W/ SAFETY DISCONNECT
- (E) LIFTING EYES
- (F) SERVICE ACCESS ELECTRICAL/MANIFOLD
- (G) SERVICE ACCESS BLOWER/BEARINGS
- (H) SERVICE ACCESS MOTOR



L.M. Temperature Control Inc.

DRAWN: ACJ

APPROVED: DLG

DRAWING NUMBER:

DATE: 11.06.01

DATE: 11.13.01

THP4500A