

THP-2000

UNIT SPECIFICATIONS:

POWER SUPPLY: 230V/1PH/60Hz/35A
 230V/3PH/60Hz/20A
 460V/3PH/60Hz/10A

AIR DELIVERY: 11,000 CFM
 BTU INPUT: 89,100 - 2,000,000

FUEL SUPPLY:

PROPANE: 10 PSI
 CONNECTION: 1" NPT
 NATURAL: 1/2 - 4 PSI
 CONNECTION: 1 1/2" NPT

DIMENSIONS:

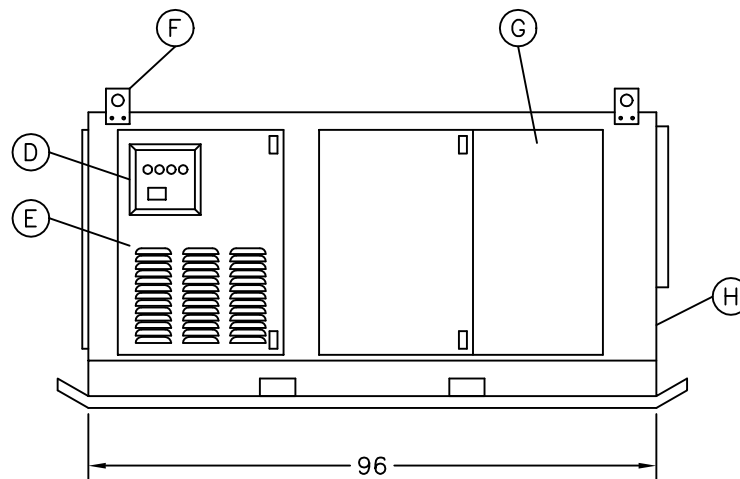
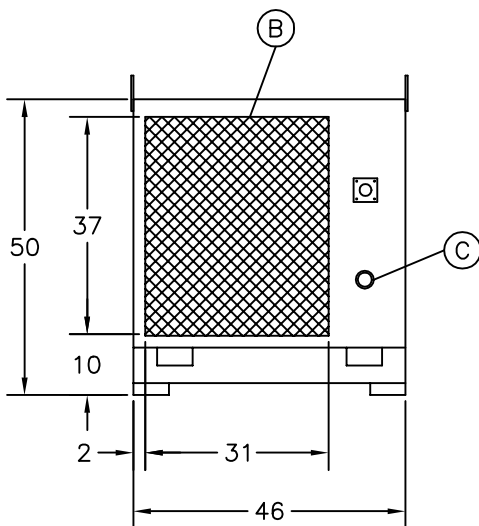
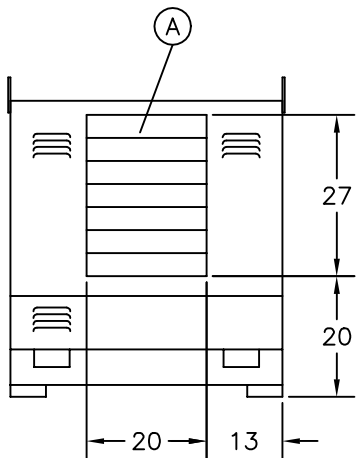
LENGTH (IN): 96
 WIDTH (IN): 46
 HEIGHT (IN): 50
 WEIGHT (LBS): 1,870

NOTES:

CONTACT TEMP-AIR FOR OTHER
 GAS PRESSURES.

UNIT COMPONENTS:

- (A) DISCHARGE DIFFUSER
- (B) INTAKE SCREEN
- (C) GAS INLET
- (D) CONTROL PANEL W/ SAFETY DISCONNECT
- (E) SERVICE ACCESS ELECTRICAL/MANIFOLD
- (F) LIFTING EYES
- (G) SERVICE ACCESS BLOWER/BEARINGS
- (H) SERVICE ACCESS MOTOR



L.M. Temperature Control Inc.

DRAWN: ACJ
 DATE: 10.26.01

APPROVED: DLG
 DATE: 10.31.01

DRAWING NUMBER:
 THP2000