

THP-1400

UNIT SPECIFICATIONS:

POWER SUPPLY: 230V/1PH/60Hz/25A
 230V/3PH/60Hz/15A
 460V/3PH/60Hz/7A

AIR DELIVERY: 7,500 CFM
 BTU INPUT: 60,750 - 1,400,000

FUEL SUPPLY:

PROPANE: 10 PSI
 CONNECTION: 1" NPT
 NATURAL: 1/4 - 4 PSI
 CONNECTION: 1 1/4" NPT

DIMENSIONS:

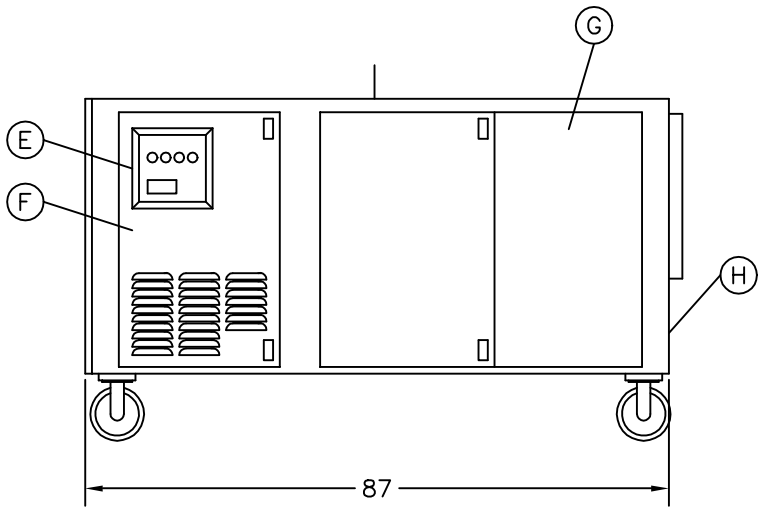
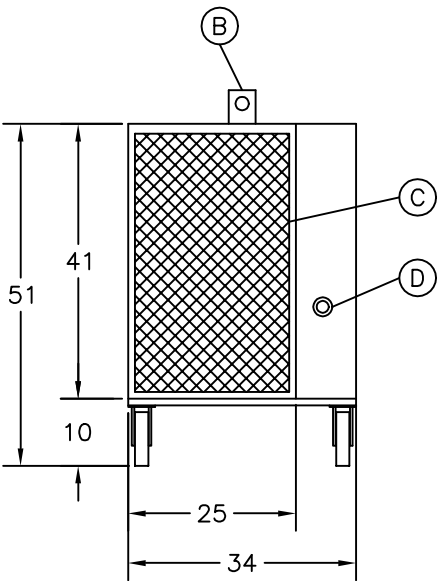
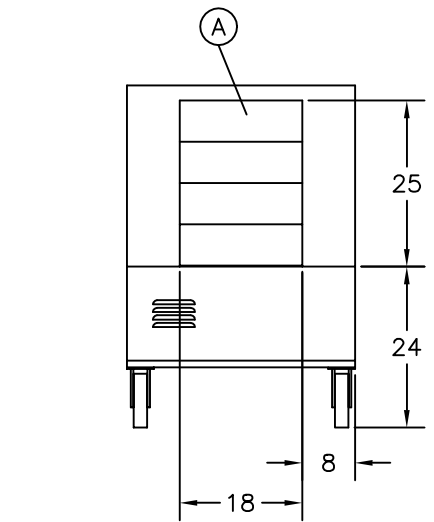
LENGTH (IN): 87
 WIDTH (IN): 34
 HEIGHT (IN): 51
 WEIGHT (LBS): 1,180

NOTES:

CONTACT TEMP-AIR FOR OTHER GAS PRESSURES.

UNIT COMPONENTS:

- (A) DISCHARGE DIFFUSER
- (B) LIFTING EYE
- (C) INTAKE SCREEN
- (D) GAS INLET
- (E) CONTROL PANEL W/ SAFETY DISCONNECT
- (F) SERVICE ACCESS ELECTRICAL/MANIFOLD
- (G) SERVICE ACCESS BLOWER/BEARINGS
- (H) SERVICE ACCESS MOTOR



L.M. Temperature Control Inc.

DRAWN: ACJ	APPROVED: DLG	DRAWING NUMBER:
DATE: 10.26.01	DATE: 10.31.01	THP1400