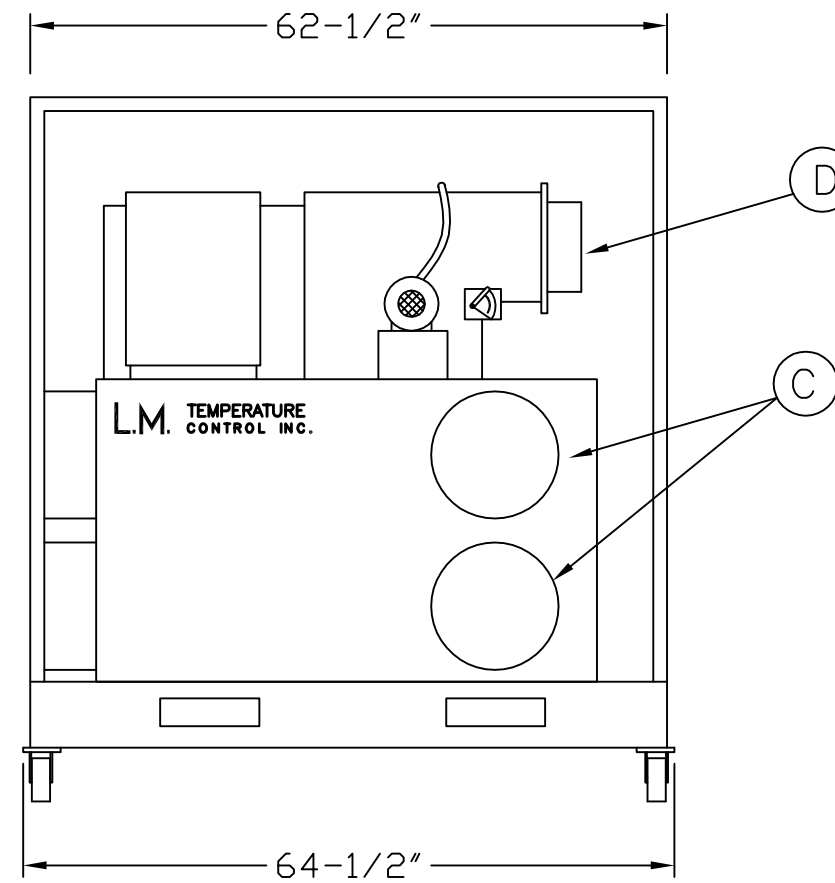
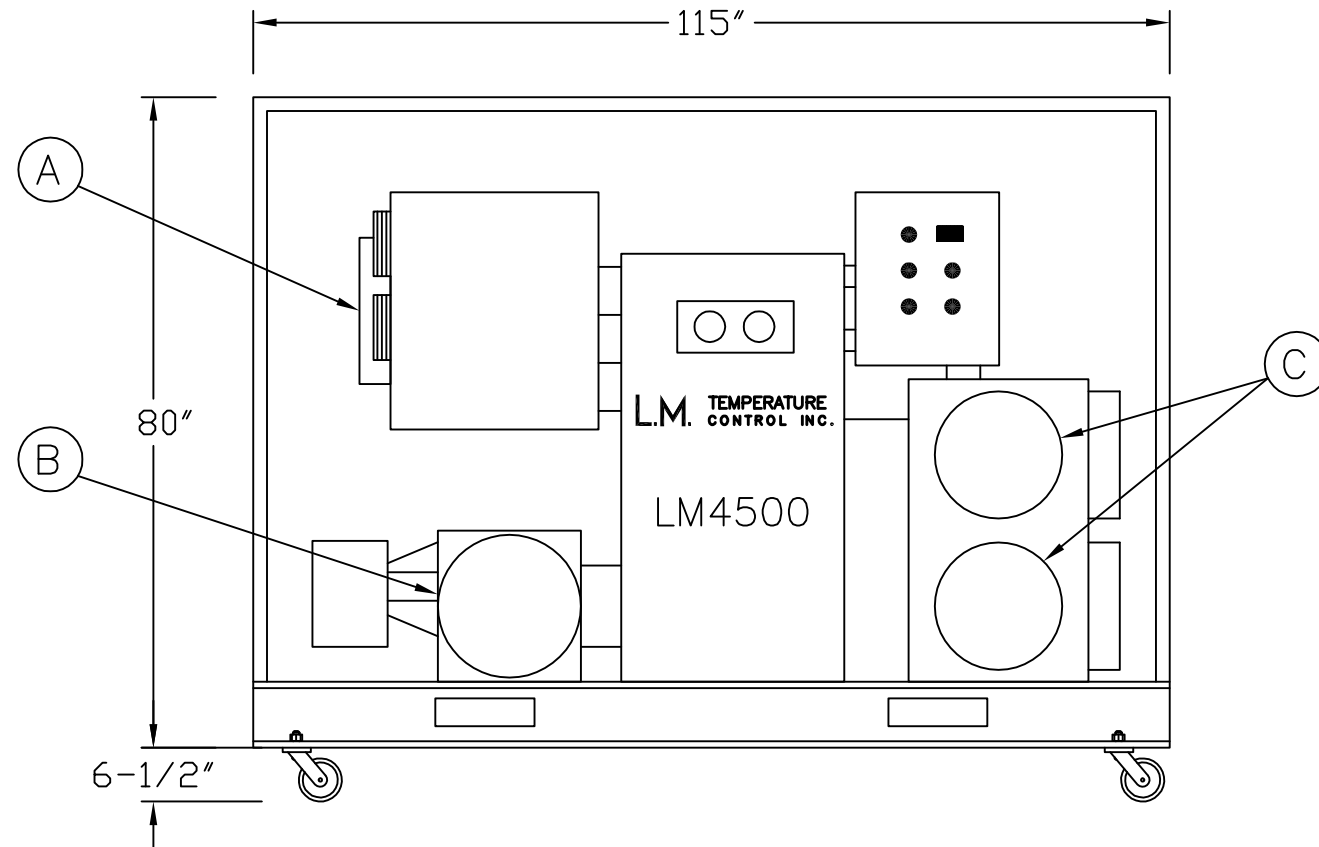


DEHUMIDIFIER L.M. 4500

FRONT VIEW

SIDE VIEW



- A = REACTIVATION INLET ~ 20"φ
- B = PROCESS OUTLET ~ 20"φ
- C = PROCESS INLET ~ 20"φ
- D = REACTIVATION OUTLET ~ 14"φ

600 VOLTS.
100 AMPS.

WEIGHT 2200LBS

NOTE : THE HEIGHT WITH WHEELS 86.5"

L.M. Temperature Control Inc.

DRAWN:

APPROVED:

DRAWING NUMBER:

DATE: 07.19.06

DATE: 07.19.06

LM4500