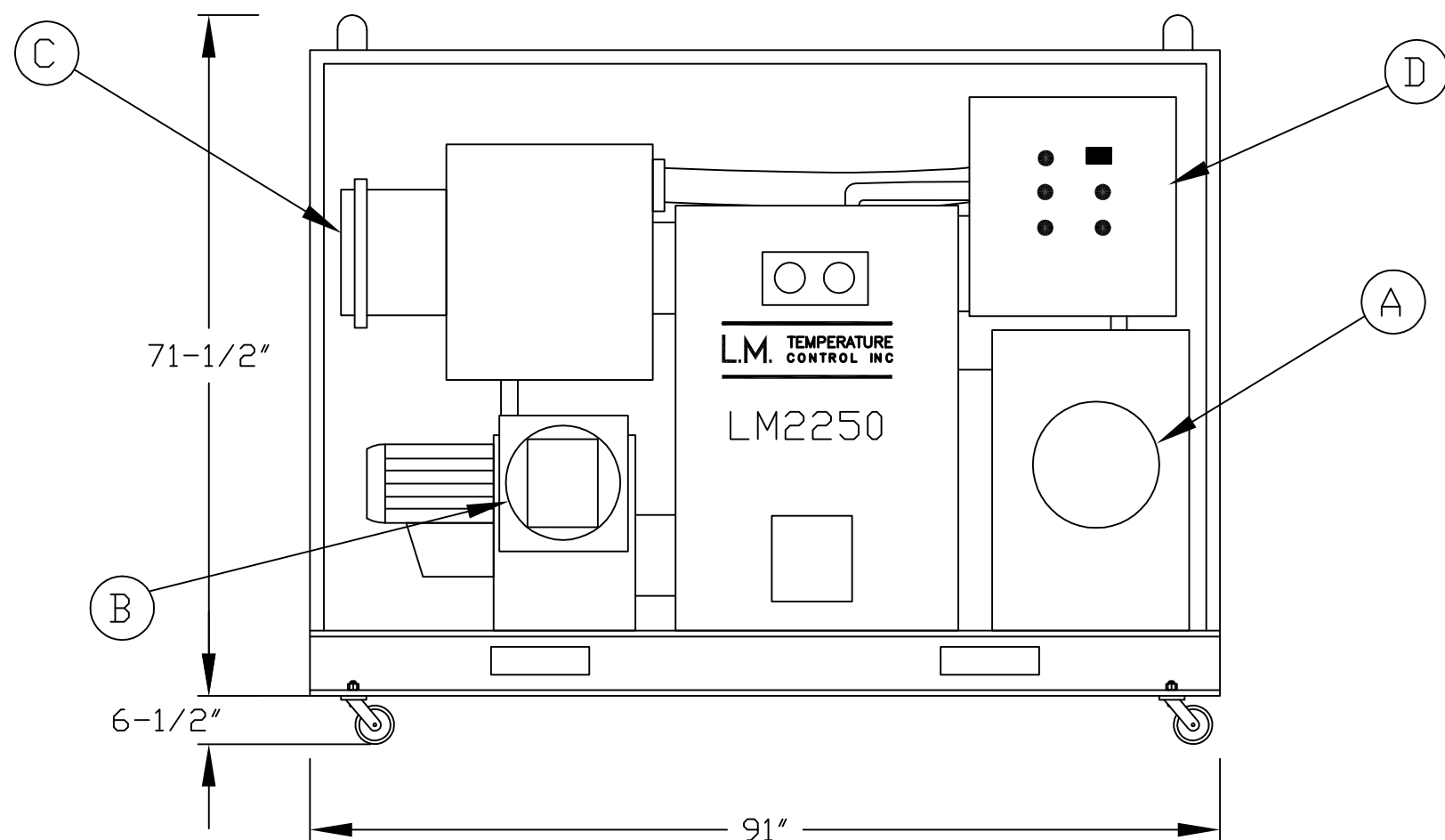
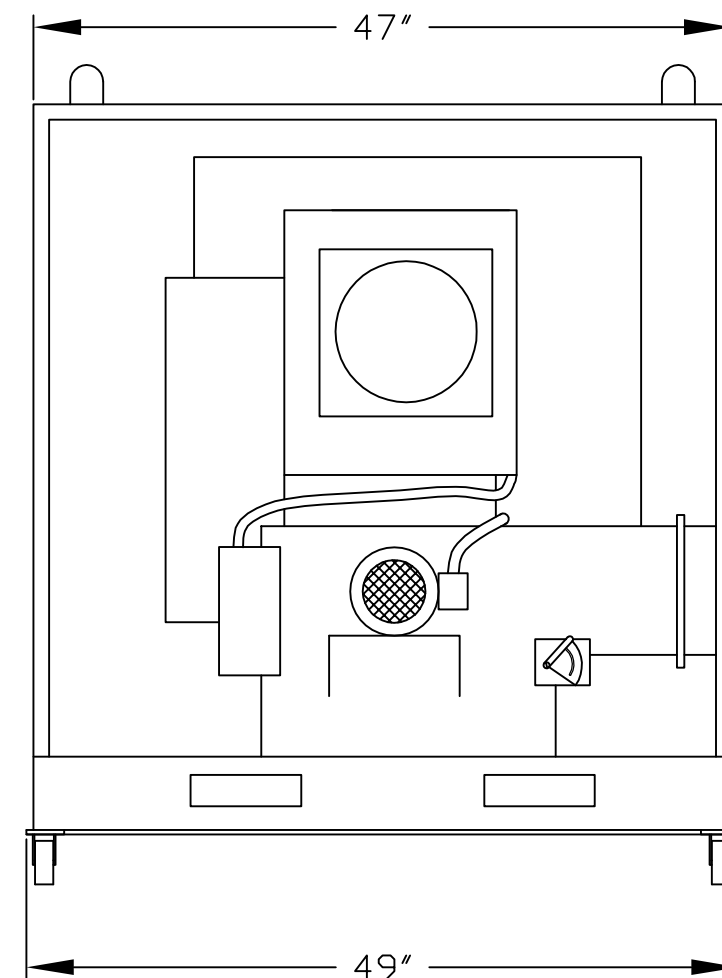


# DEHUMIDIFIER LM 2250

## FRONT VIEW



## SIDE VIEW



- A = PROCESS INLET ~ 20"  $\phi$
- B = PROCESS OUTLET ~ 14"  $\phi$
- C = REACTIVATION INLET ~ 14"  $\phi$
- D = SWITCHBOARD CONTROL

600 VOLTS.  
60 AMPS.

WEIGHT 1000LBS

NOTE : THE HEIGHT WITH WHEELS 78"

L.M. Temperature Control Inc.

DRAWN:	APPROVED:	DRAWING NUMBER:
DATE: 07.19.06	DATE: 07.19.06	LM2250