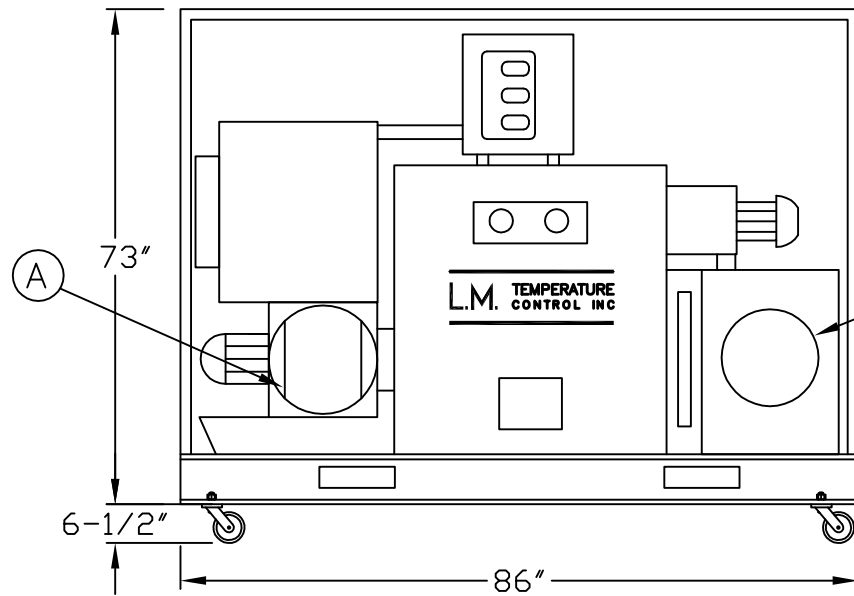
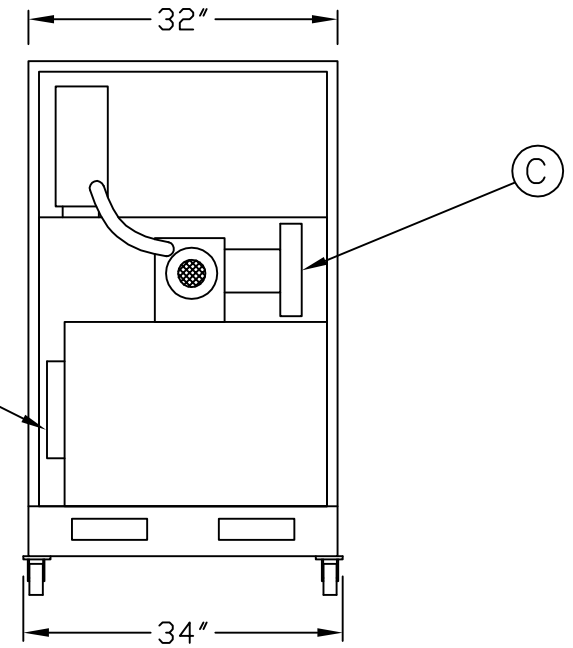


DEHUMIDIFIER L.M. 1125

FRONT VIEW



SIDE VIEW



- A = PROCESS OUTLET ~ 14" ϕ
- B = PROCESS INLET ~ 14" ϕ
- C = REACTIVATION OUTLET ~ 14" ϕ

600 VOLTS
30 AMPS

WEIGHT 900 LBS.

NOTE : THE HEIGHT WITH WHEELS 79.5"

L.M. Temperature Control Inc.		
DRAWN:	APPROVED:	DRAWING NUMBER:
DATE: 07.17.06	DATE: 06.02.06	L.M. 1125