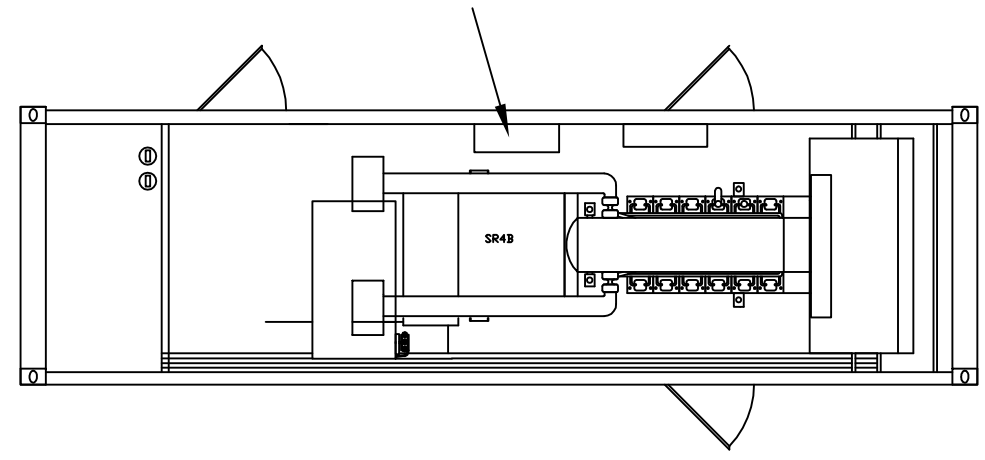
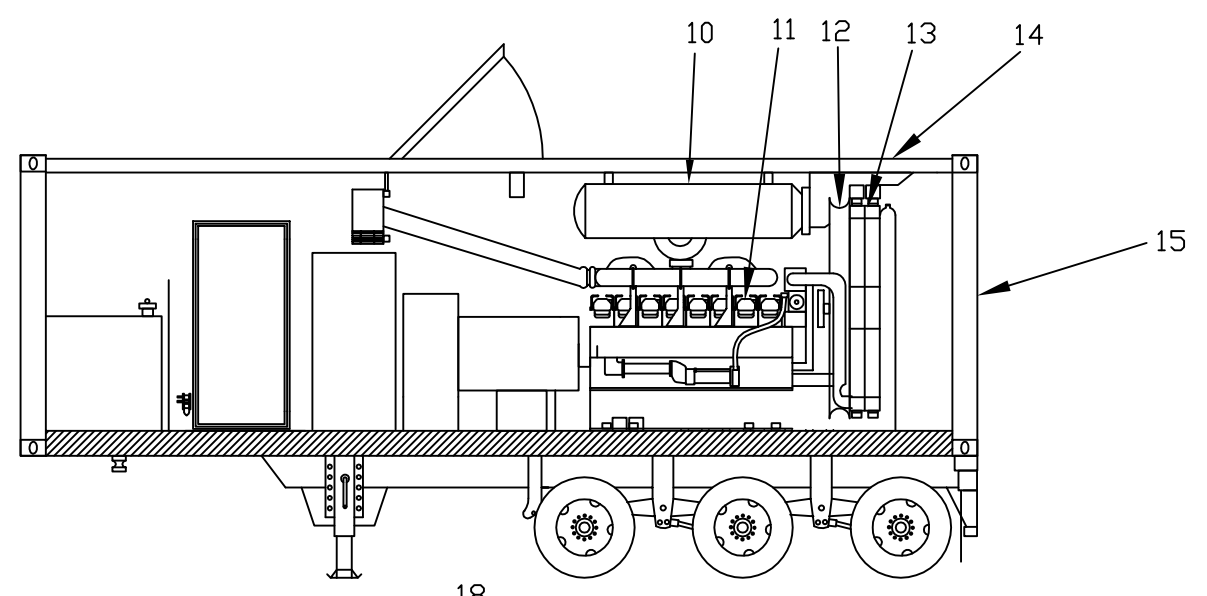


TECHNICAL DATA

- (1) AIR INLET
- (2) CABLE ACCESS DOOR FOR 600V/480V
- (3) FUEL TANK - 4700 LTRS
- (4) FUEL FILLER
- (5) PERSONNEL ENTRANCE DOOR
- (6) SWITCHGEAR
- (7) DOOR ROOF AIR INLET
- (8) LIGHTS
- (9) GENERATOR
- (10) MUFFLER
- (11) ENGINE
- (12) FAN
- (13) RADIATOR
- (14) EXHAUST
- (15) AIR OUTLET
- (16) TRANSFORMER
- (17) FUEL/WATER SEPARATORS
- (18) BATTERIES
- (19) FUEL TRANSFER PUMP
- (20) CONTROL PANEL FOR THE FUEL TRANSFER SYSTEM
- (21) OUTSIDE DOOR FOR THE FUEL FILLER (OPTION)
- (22) REAR DOORS
- (23) CABLE ACCESS DOORS FOR 600V & 480V



GENERATOR SET	POWER	VOLTAGE	CURRENT PRIME @ 0.8PF	CURRENT STBY @ 0.8PF	FREQUENCY	FUEL TANK CAPACITY	FUEL CONSUMPTION (75% LOAD)	FUEL CONSUMPTION (100% LOAD)
L.M.37	600KW	600V/480V	1900A/2400A	2100A/2600A	60 HZ	5200 LITERS	378.1 L/HR	504.7 L/HR

IE2733	DRAWING-AUTOCAD
IE0011	INTRP & TOL
SPIC NO.	NAME
DRN	
CHK	
APPD	
SCALE	
SHEET 1	01AUG06
	DATE
L.M. GENERATING POWER CO. LTD.	
INSTRUCTION-SVGR	
600V/480V	