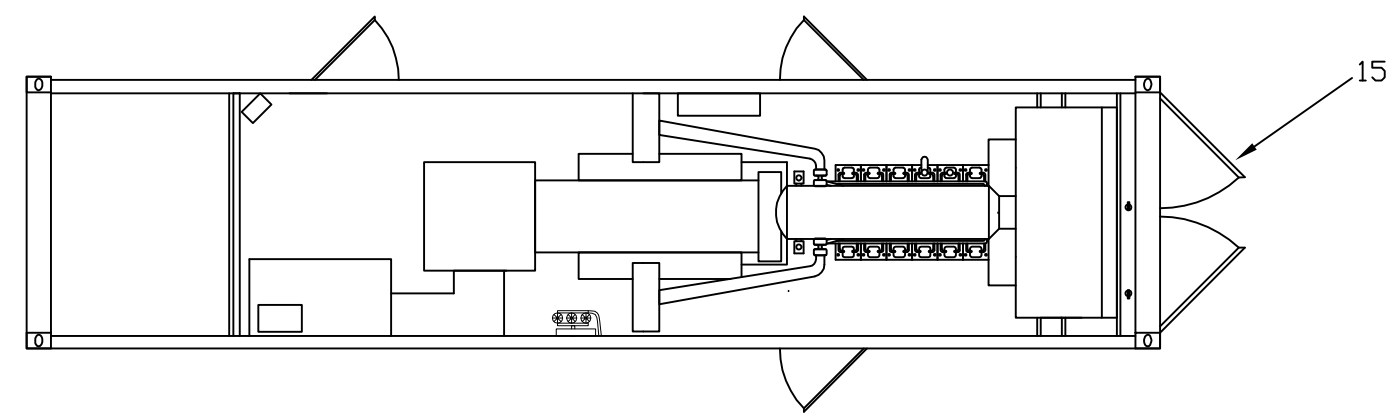
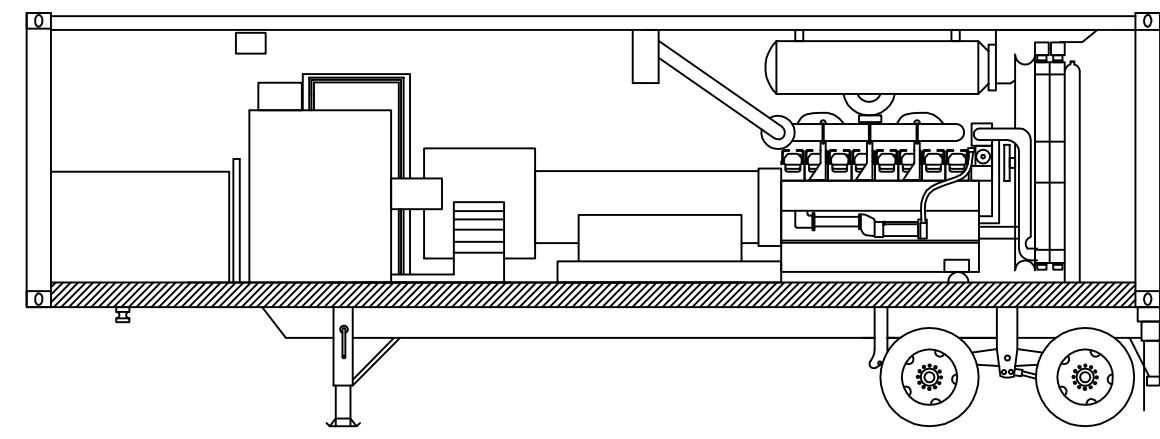


TECHNICAL DATA

- (1) CABLE ACCESS COMPARTMENT 600V/480V
- (2) FUEL TANK
- (3) PERSONNEL ENTRANCE DOOR
- (4) AIR INLET
- (5) 3500B ENGINE
- (6) MUFFLERS
- (7) ENGINE
- (8) RADIATOR
- (9) EXHAUST
- (10) FUEL/WATER SEPARATORS
- (11) TRANSFORMER
- (12) SWITCHGEAR
- (13) GENERATOR
- (14) BATTERIES
- (15) REAR DOORS
- (16) BATTERY CHARGER
- (17) EXHAUST (OPTION)
- (18) CIRCUIT BREAKER AND OUTLETS
- (19) FUEL TRANSFER PUMP
- (20) CONTROL PANEL FOR THE FUEL TRANSFER SYSTEM
- (21) OUTSIDE DOOR FOR THE FUEL FILLER (OPTION)
- (22) REAR DOORS
- (23) CABLE ACCESS DOORS FOR 600V & 480V



GENERATOR SET	POWER	VOLTAGE	CURRENT PRIME @ 0.8PF	CURRENT STBY @ 0.8PF	FREQUENCY	FUEL TANK CAPACITY	FUEL CONSUMPTION (75% LOAD)	FUEL CONSUMPTION (100% LOAD)
L.M.49	1250KW	600V/480V/416V	1300A/1700A/2000A	1500A/1900A/2200A	60 HZ	5000 LITERS	378.1 L/HR	504.7 L/HR

1E2733	DRAWING-AUTOCAD
1E0011	INTPR & TOL
SPEC NO.	NAME
DRN	
CHK	
APPD	
SCALE	
SHEET 1	DATE 15AUG06
L.M. GENERATING POWER CO. LTD.	
INSTRUCTION-SWGR 600V/480V/416V	